



Installation
and Operation
Instruction
Manual

INSMAN-110

Centrifugal
Sand
Separator
Automatic
Purge

Phone: 951.656.6716 | Toll-Free: 800.854.4788 | www.yardneyfilters.com

Yardney Water Management Systems, Inc. | 6666 Box Springs Blvd. | Riverside, CA 92507

CENTRIFUGAL SAND SEPARATOR AUTO PURGE

The Yardney Automatic Purge Controller is designed to purge the separator's collection chamber either automatically or manually. The purge controller is designed for use with either the motorized ball valve or diaphragm valves that are supplied.

Auto/Manual Switch

The position of this switch determines if the purge controller is in the auto or manual mode.

In the auto position, the purge controller will automatically purge the separator at a predetermined interval and for a predetermined amount of time as described under "Time Settings" below.

In the manual position, power is disconnected from the timer and manual operation of the purge valve is now possible by using the open and close switch. This switch is spring-loaded and must be held in position.

If a motorized ball valve is used, the switch must be held into the open or closed position until the valve completes its travel.

If a diaphragm valve is used, then the open position is used to energize the solenoid and open the valve. If the switch is released, then the solenoid will de-energize and the valve will close; ending the purge cycle.

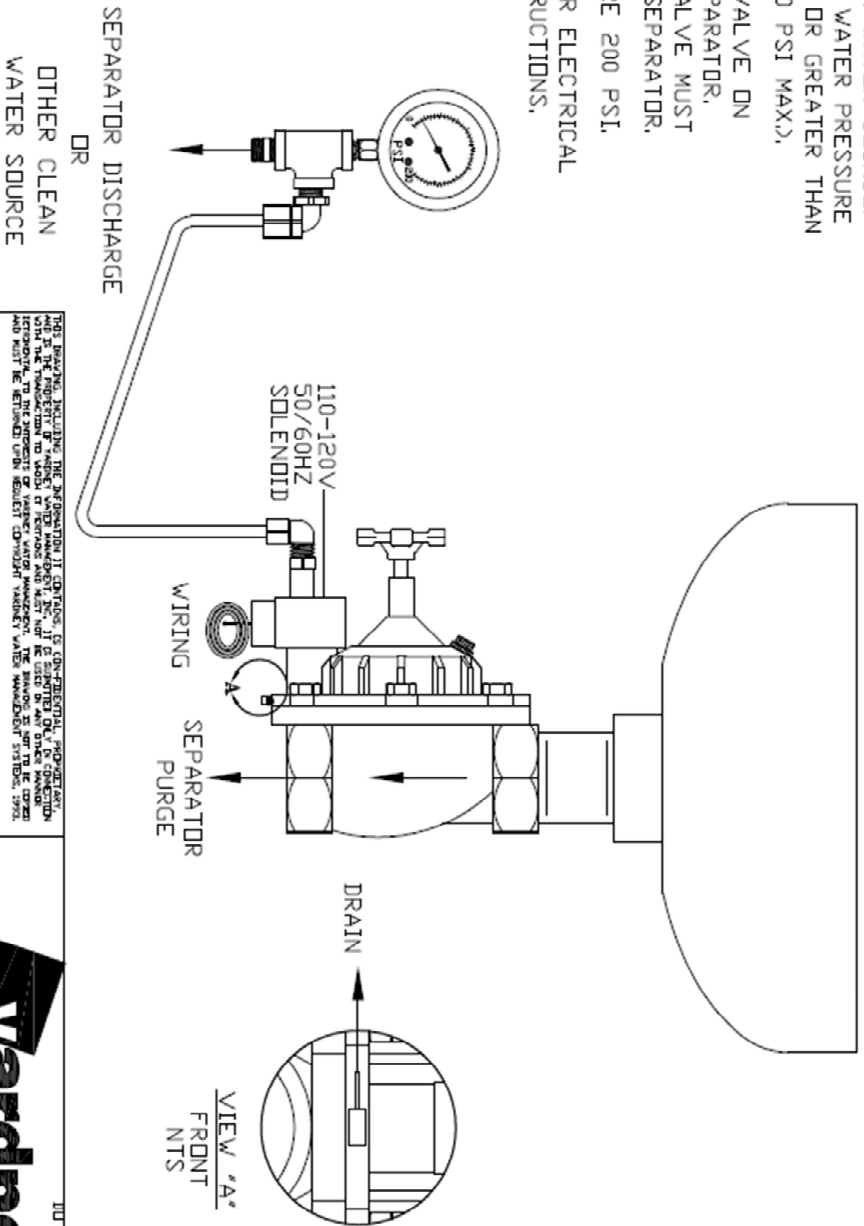
Time Settings

Off Time – This dial is used to set the purge cycle frequency.

On Time – This dial is used to set the length of the purge time.

SEPARATOR AUTO PURGE

- * INSTALL WATER PICKUP TUBE FITTING ON DISCHARGE SIDE OF SEPARATOR OR ON OTHER CLEAN WATER SOURCE.
- * ALTERNATE SOURCE WATER PRESSURE MUST BE EQUAL TO OR GREATER THAN LINE PRESSURE (200 PSI MAX).
- * INSTALL PURGE VALVE ON PURGE PORT OF SEPARATOR.
- * FLOW ARROW ON VALVE MUST POINT AWAY FROM SEPARATOR.
- * MAXIMUM PRESSURE 200 PSI.
- * SEE REVERSE FOR ELECTRICAL INSTALLATION INSTRUCTIONS.



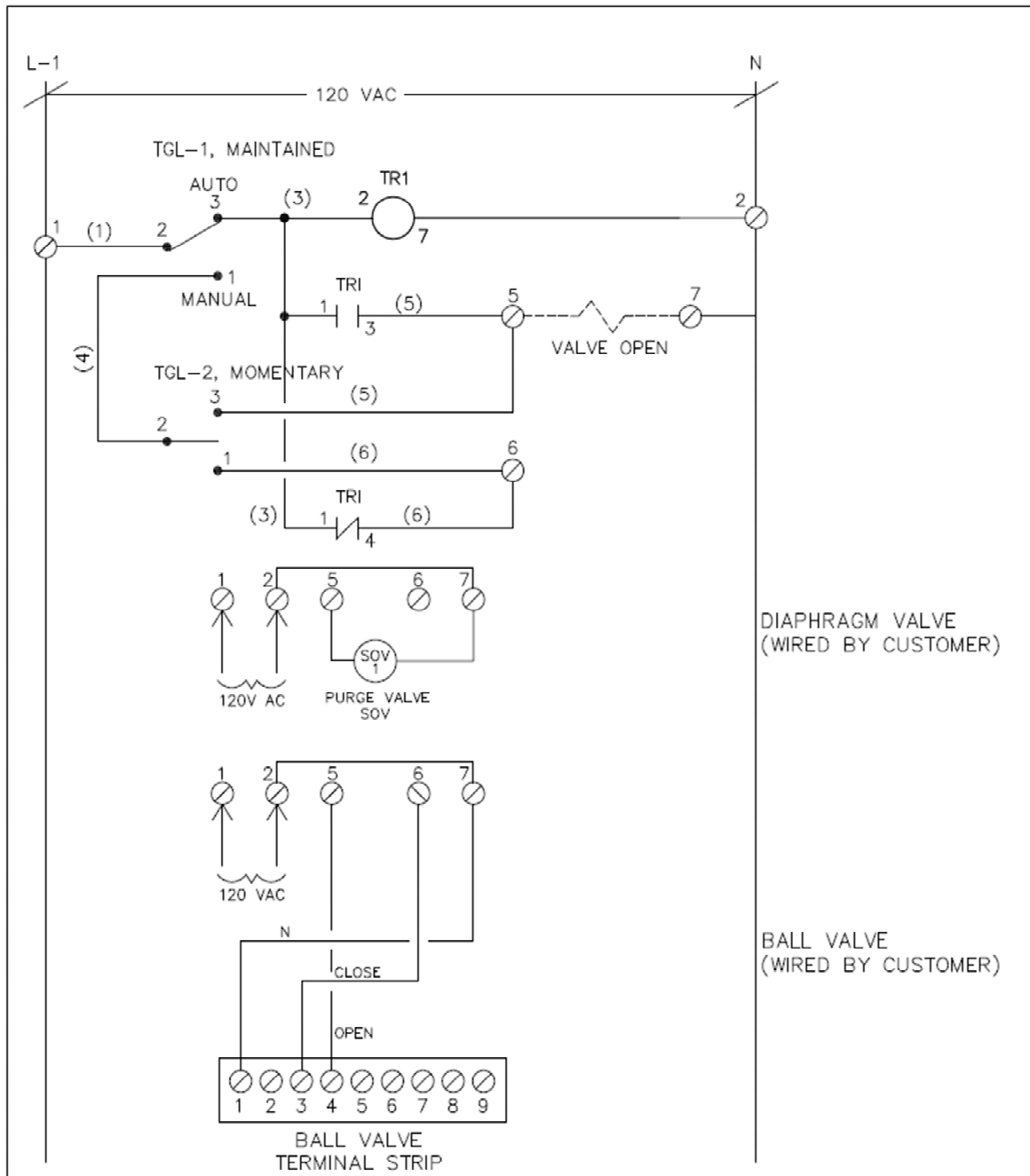
THIS DRAWING INCLUDING THE INFORMATION CONTAINED HEREIN IS UNCLASSIFIED AND IS BEING RELEASED TO THE PUBLIC IN CONNECTION WITH THE TRANSFER TO PUBLIC DOMAIN OF THE PATENT RIGHTS IN THE INVENTION OF THE ELECTRO-CONTROLLED WATER PURGERS, AND SHALL BE USED IN ANY MANNER AND FOR ANY PURPOSES WITHOUT REQUIRING THE WRITTEN PERMISSION OF YARDNEY SYSTEMS, INC.

DO NOT SCALE DIMS



SIZE DRAWING NO. GLOBE VALVE PURGE

SYM	REV	DATE	DESCRIPTION	BY	DATE	APP	DATE
A	1	10-13	DRIVEN SOLENOID WAS MISSING	DD	10-13	APP	
			REVISIONS				



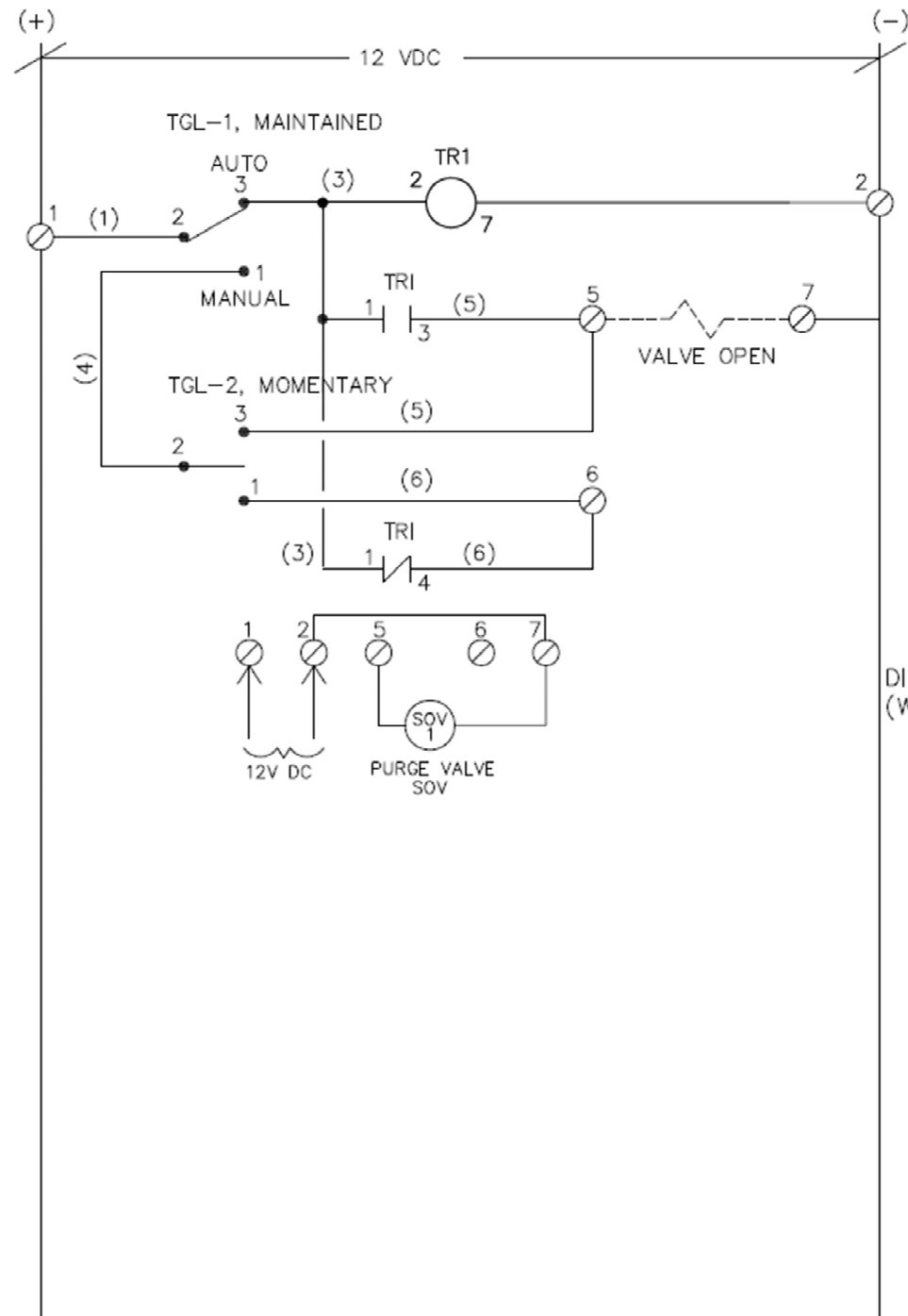
THIS DRAWING INCLUDES THE INFORMATION IT CONTAINS, IS CONFIDENTIAL, PROPRIETARY AND IS THE PROPERTY OF YARNEY WATER MANAGEMENT, INC. IT IS SUBMITTED ONLY IN CONNECTION WITH THE TRANSACTION TO WHICH IT PERTAINS AND MUST NOT BE USED IN ANY OTHER MANNER WITHOUT THE WRITTEN PERMISSION OF YARNEY WATER MANAGEMENT. THIS DRAWING IS NOT TO BE COPIED AND MUST BE RETURNED UPON REQUEST COPYRIGHT YARNEY WATER MANAGEMENT SYSTEMS, 2008

DO NOT SCALE DRAWING




REV	DESCRIPTION	DATE	APP	APPROVALS	DATE
E	UPDATED YARNEY LOGO	2-14	APP		
D	WIRING NUMBERING WAS INCORRECT FIXED	10-08	APP	DRAWN BY: KAT	3/11/09
C	UPDATED WIRING NUMBERS	11-05	APP	CHECKED BY:	
B	REMOVED EXTRA SOV (6)	3-05	APP	APPROVED BY:	
A	WIRING NUMBER CHANGES	6-97	APP	ANALYST/EXTERNAL SCALE:	NONE
SYM	REVISIONS	BY	DATE	APP	DATE

SIZE	D	DRAWING NO.	J	REV.	E
ELECTRICAL PANEL		ELECTRICAL PURGE		SHEET 1 OF 1	



DIAPHRAGM VALVE
(WIRED BY CUSTOMER)

DO NOT SCALE DWG.

THIS DRAWING CONSIDERS THE INFORMATION IT CONTAINS IS CONFIDENTIAL, PROPRIETARY AND IS THE PROPERTY OF YARNEY WATER MANAGEMENT, INC. IT IS SUBMITTED ONLY IN CONNECTION WITH THE TRANSACTION TO WHICH IT PERTAINS AND MUST NOT BE USED IN ANY OTHER MANNER. RETROACTIVE TO THE INTERESTS OF YARNEY WATER MANAGEMENT, THE DRAWING IS NOT TO BE COPIED AND MUST BE RETURNED UPON REQUEST. COPYRIGHT YARNEY WATER MANAGEMENT SYSTEMS, 1993.						
		APPROVALS	DATE	CONTROL, PANEL WIRING 12VDC		
		DRAWN BY	6/17/09			
		CHECKED BY				
		APPROVED BY		SIZE	DRAWING NO.	REVI
A	UPDATED YARNEY LOGO	DTG	2-15	APP	DIAPHRAGM, 12VDC	A
SYM	REVISIONS	BY	DATE	APP	SCALE	SHEET 1 OF 1

SEPARATOR AUTOMATIC PURGE SYSTEM 120 VOLT 60 HZ INPUT

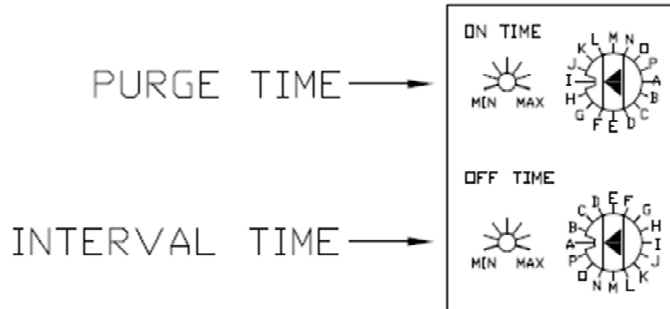


FIG. 1 - RELAY FACE

DIAL SETTING	TIMING RANGE
A	0.6 - 2.5 SEC.
B	1.5 - 5 SEC.
C	2.5 - 10.5 SEC.
D	5 - 21 SEC.
E	10 - 42 SEC.
F	0.4 - 1.4 MIN.
G	0.7 - 2.8 MIN.
H	1.5 - 5.5 MIN.
I	3 - 11 MIN.
J	5.5 - 22.5 MIN.
K	11 - 45 MIN.
L	0.4 - 1.5 HR.
M	0.8 - 3 HR.
N	1.5 - 6 HR.
O	3 - 12 HR.
P	6 - 24 HR.

NOTES:

CONNECT PURGE VALVE
AS SHOWN ON
WIRING DIAGRAM

FIG. 2 - KNOB SETTINGS

THIS DRAWING, INCLUDING THE INFORMATION IT CONTAINS, IS CONFIDENTIAL, PROPRIETARY, AND IS THE PROPERTY OF YARDNEY WATER MANAGEMENT, INC. IT IS SUBMITTED ONLY IN CONNECTION WITH THE TRANSACTION TO WHICH IT PERTAINS AND MUST NOT BE USED BY ANY OTHER PARTY. RETENTION TO THE INTERESTS OF YARDNEY WATER MANAGEMENT. THE DRAWING IS NOT TO BE COPIED AND MUST BE RETURNED UPON REQUEST COPYRIGHT YARDNEY WATER MANAGEMENT SYSTEMS, 1993.				DO NOT SCALE DWG.	
		APPROVALS		DATE	
		DRAWN BY		9/12/93	
		CHECKED BY			
		APPROVED BY			
A		UPDATED YARDNEY LOGO		BY DATE APP	
SYM		REVISIONS		BY DATE APP	
		ARCHITECTURAL SCALE		NONE	
		USED ON		NONE	
		SIZE		DRAWING NO.	
		D		CONTROL32D	
		SHEET		REV	
		NONE		A	
		ELECTRICAL SOURCE CONTROL		SHEET 1 OF 1	