

### Yardney Basket Strainers

are a low-cost filter solution designed to be used for the removal of inorganic contaminants. Basket Strainers trap gross contaminants and are able to withstand a substantial amount of loading without failure. When used as a secondary filter the basket strainer is intended to capture contaminants that may enter the system as a result of a pipeline break or system malfunction.

Basket strainers feature a replaceable cartridge and screen mesh that ensures consistent and reliable filtration and allows for easy manual cleaning.



### Applications

- Removal of sand, rock, grit and other inorganic contaminants with fine filtration down to 200 mesh or 75 microns
- Industrial process water, incoming plant water, waste water clean up, industrial water for plant reuse
- 80 psi standard operating pressure (high pressure systems available)
- Flow ranges from 110 gpm
- Can be used as a primary filter in specific applications
- Can be used as a secondary filter to a sand media filter, centrifugal separator or other primary filtration system
- For plant or equipment process water use primarily designed for the removal of inorganic material

### Advantages

- Heavy duty, durable and low-cost screen filter
- Rugged, washable and replaceable polypropylene filter mesh sock available in 40, 80, 100, 150, and 200 mesh
- Yardney easy-entry lid closure
- Available in welded carbon steel
- 3M Scotchkote® 134 fusion bonded epoxy coating on interior surfaces
- Exterior of housing is coated with UV stabilized polyester powder coat for longer product life and greater protection from the environment
- Made in USA

## Basket Strainers

### Specifications

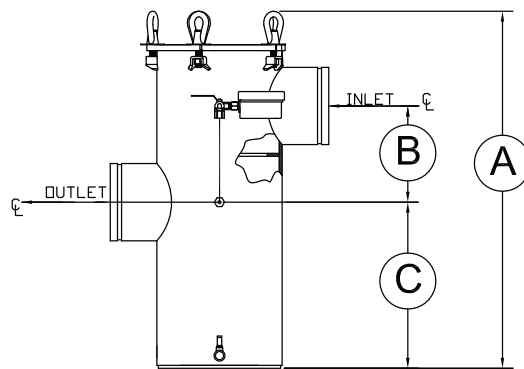
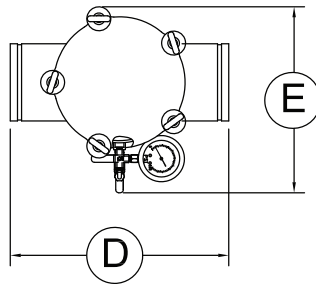
#### Standard assembly includes:

- Carbon steel housing
- Yardney easy-entry lid closure
- 3M Scotchkote® 134 fusion bonded epoxy coating on interior surfaces
- Polyester powder coating on exterior surfaces
- Internal stainless steel basket with field replaceable filter mesh
- 3-way valve
- Pressure gauge
- Tubing with fittings
- Drain valve

#### Available options:

- ASME code
- High pressure
- Grooved or flanged mainline connections
- Available in purple for reclaim water applications

SPECIFICATIONS   BASKET STRAINERS										
Model	Maximum Flow		Filtration Surface Area (total sq ft)	Maximum Pressure	Inlet/Outlet	DIMENSIONS				
	gpm	m <sup>3</sup> /hr				A	B	C	D	E
SB 2	110	25	0.44	150 psi	2"	13 5/8"	3 1/8"	4 3/4"	11 5/8"	11"
SB 3	250	57	1.01	150 psi	3"	18 1/8"	5 1/4"	6 1/4"	12 1/2"	13"
SB 4	355	81	1.01	150 psi	4"	18 1/8"	5 1/4"	6 1/4"	12 1/2"	13"
SB 6	950	216	2.96	80 psi	6"	30 5/8"	8 1/4"	14 1/4"	18 3/4"	15 7/8"
SB 8	1250	284	3.56	80 psi	8"	31 5/8"	10 3/4"	12 1/4"	20 3/4"	18 1/8"
SB 10	1875	426	5.59	80 psi	10"	41 7/8"	15"	16 1/2"	24"	19 3/4"



Made in USA

Phone: 951.656.6716  
 Toll-Free: 800.854.4788  
 Fax: 951.656.3867  
 info@yardneyfilters.com



www.yardneyfilters.com